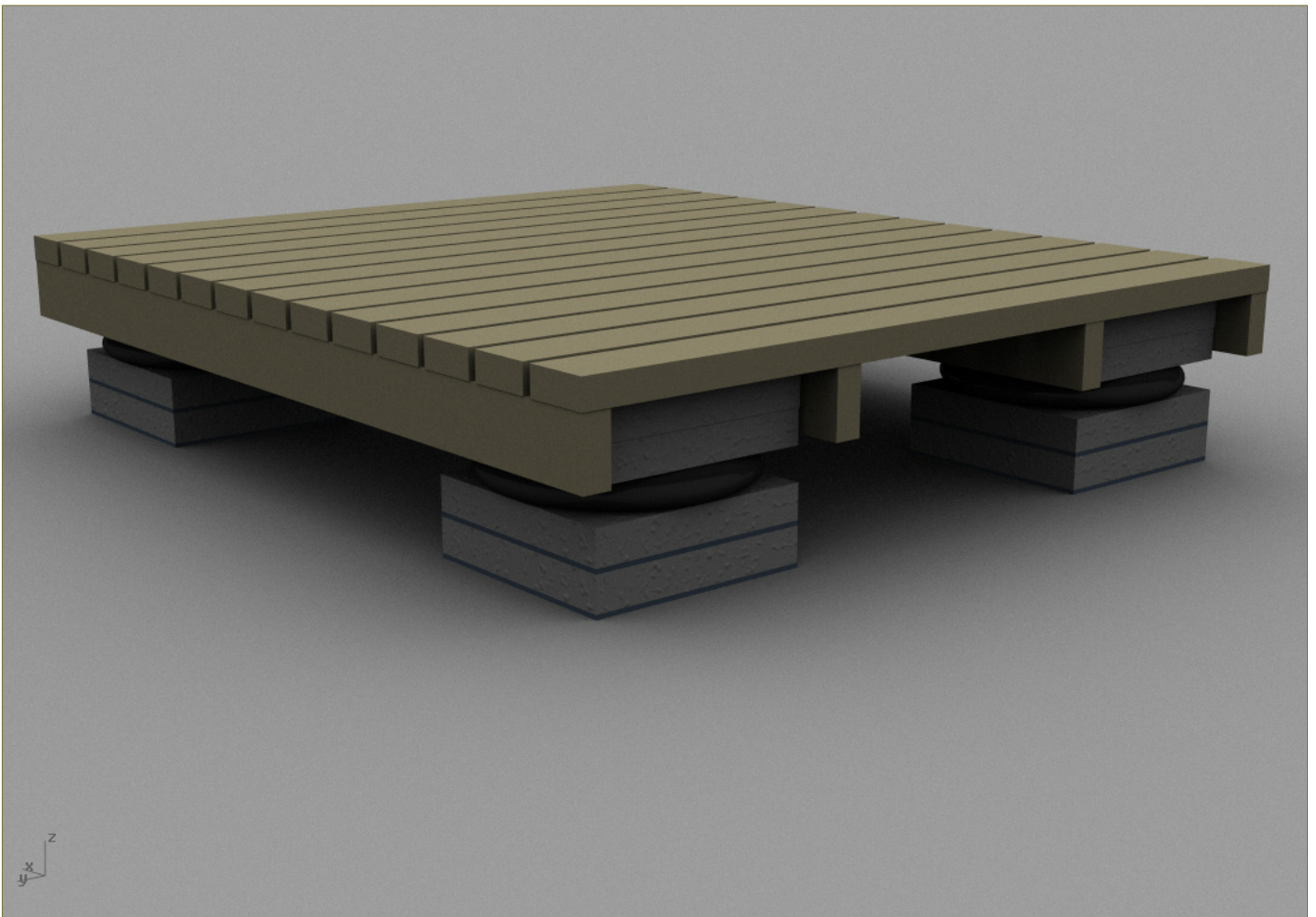


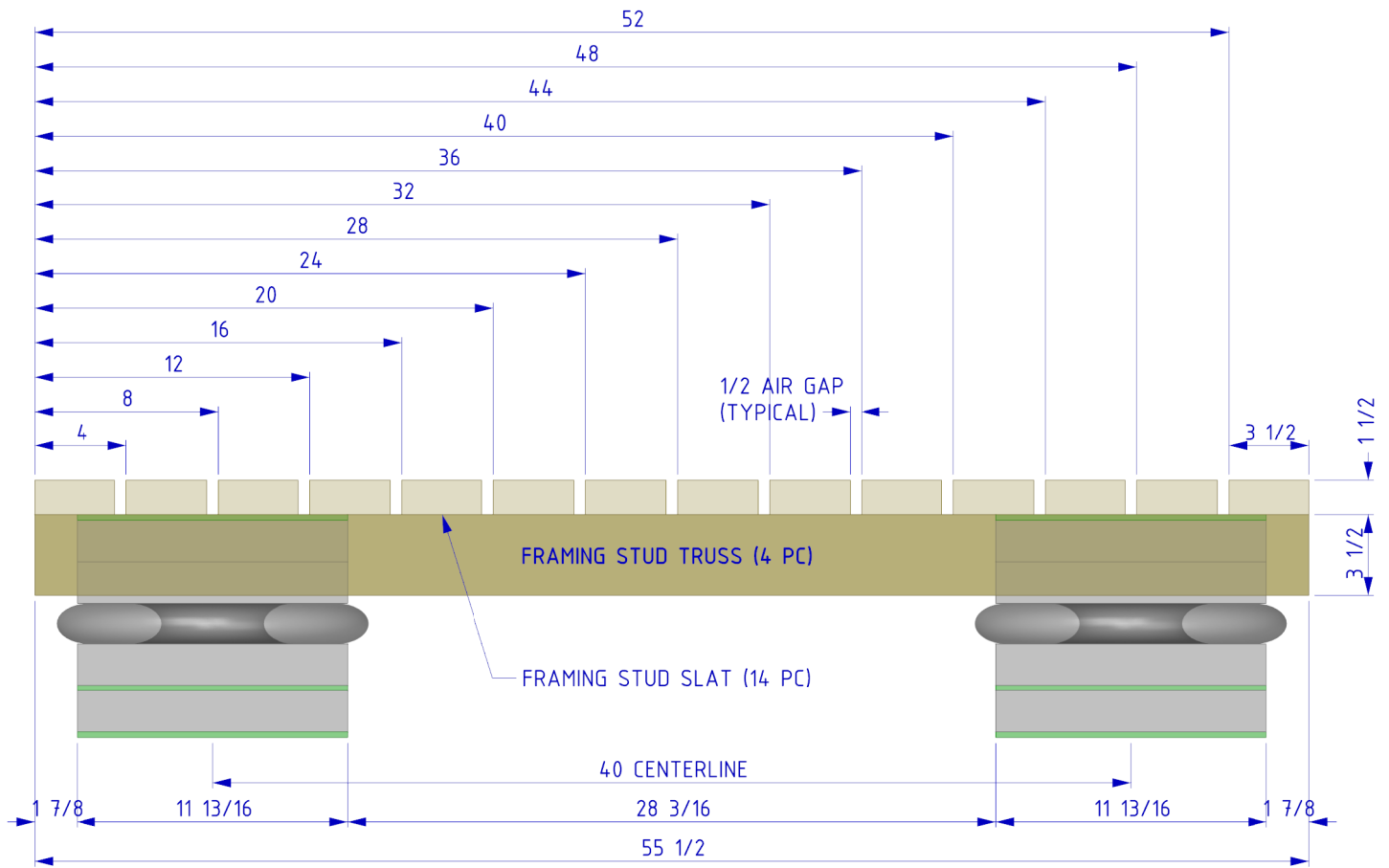
The Jackson Pad

IMPACT ISOLATING DRUM PLATFORM

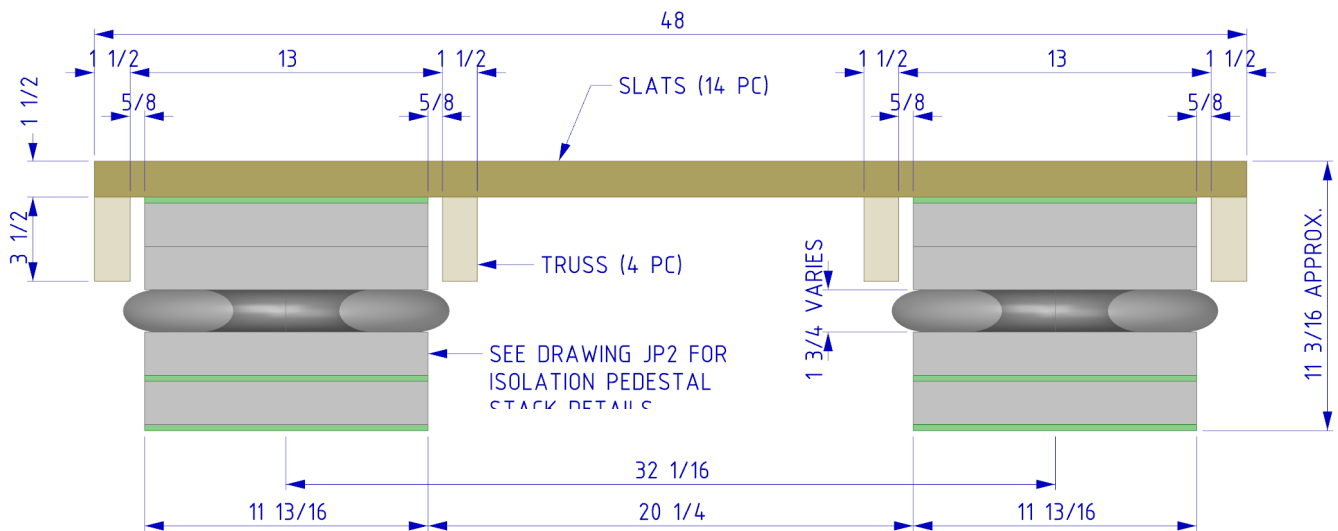
CONSTRUCTION DOCUMENTATION

REVISION 0 - 02.10.2015





1 FRONT ELEVATION
JP1 SCALE: 1/8"=1" (1:8)



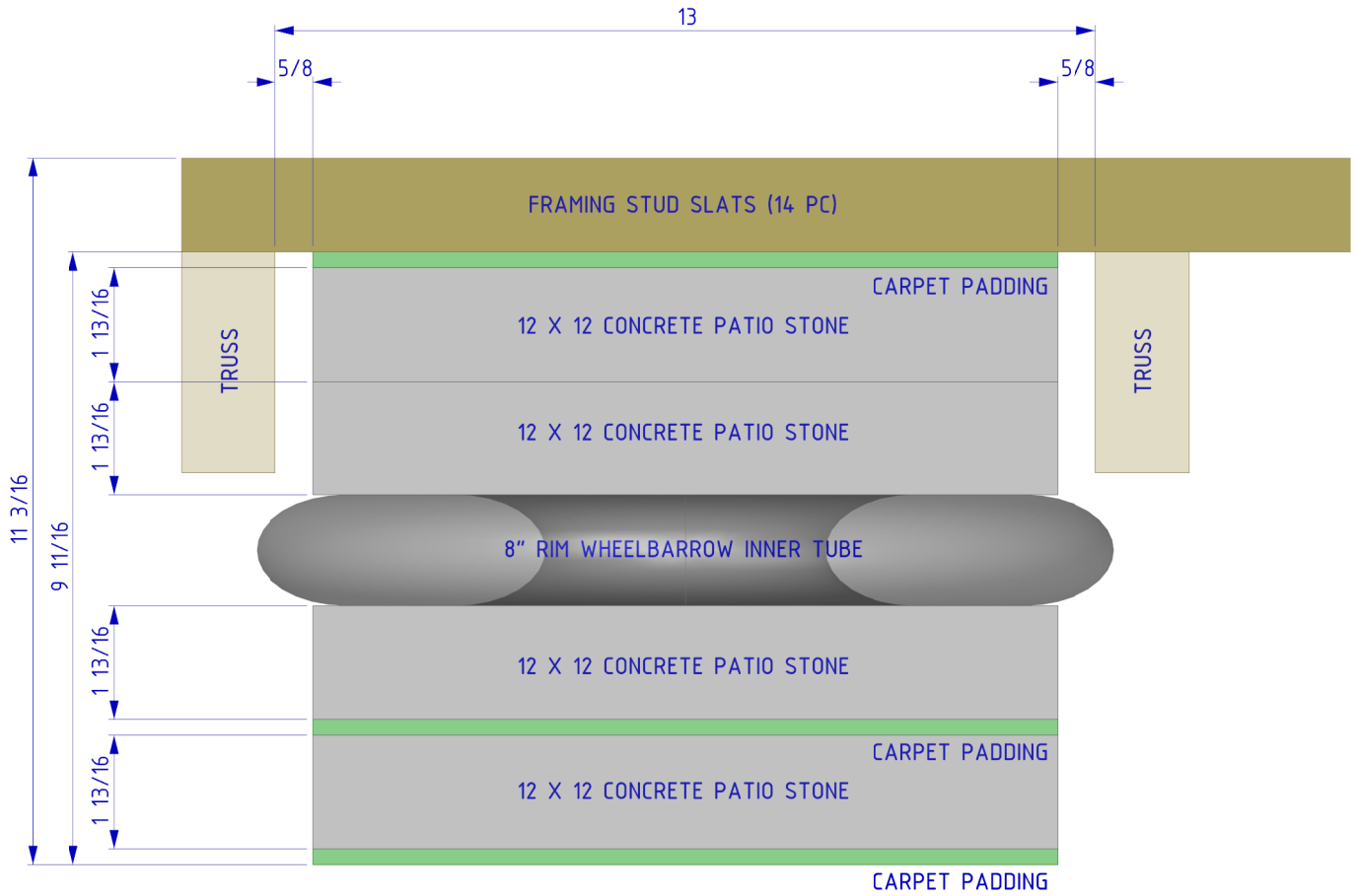
2 SIDE ELEVATION
JP1 SCALE: 1/8"=1" (1:8)

JP1

designed by: brian jackson

drawing date: 02.10.2015

The Jackson Pad
 IMPACT ISOLATING DRUM PLATFORM
 construction documentation



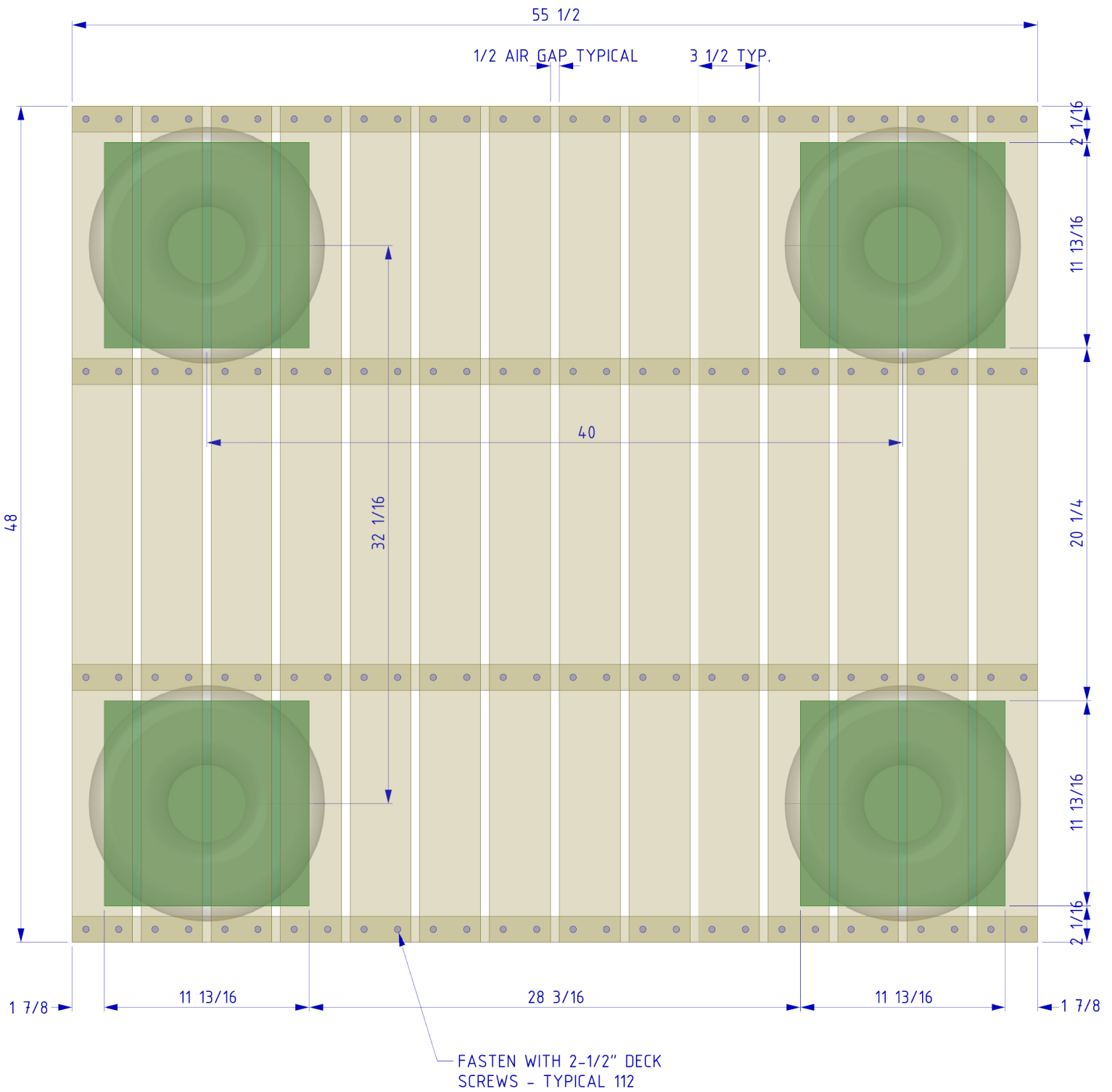
1 ISOLATION PEDESTAL STACK (TYPICAL 4)
JP2 SCALE: 1"=3" (1:3)

JP2

designed by: brian jackson

drawing date: 02.10.2015

The Jackson Pad
 IMPACT ISOLATING DRUM PLATFORM
 construction documentation



1 PLAN VIEW - TRANSPARENT
JP3 SCALE: 1/8"=1" (1:8)

JP3	designed by: brian jackson
	drawing date: 02.10.2015

The Jackson Pad
 IMPACT ISOLATING DRUM PLATFORM
 construction documentation